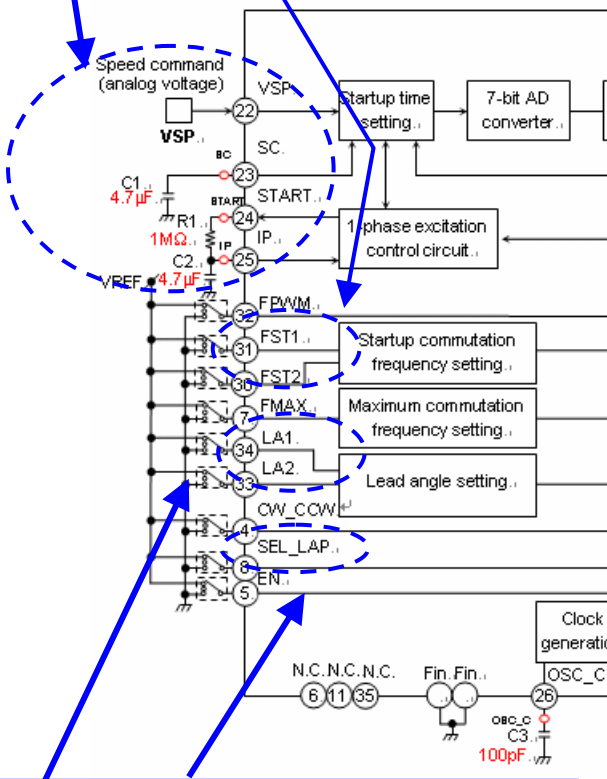


Description of evaluation board  
for  
***TB6588FG***

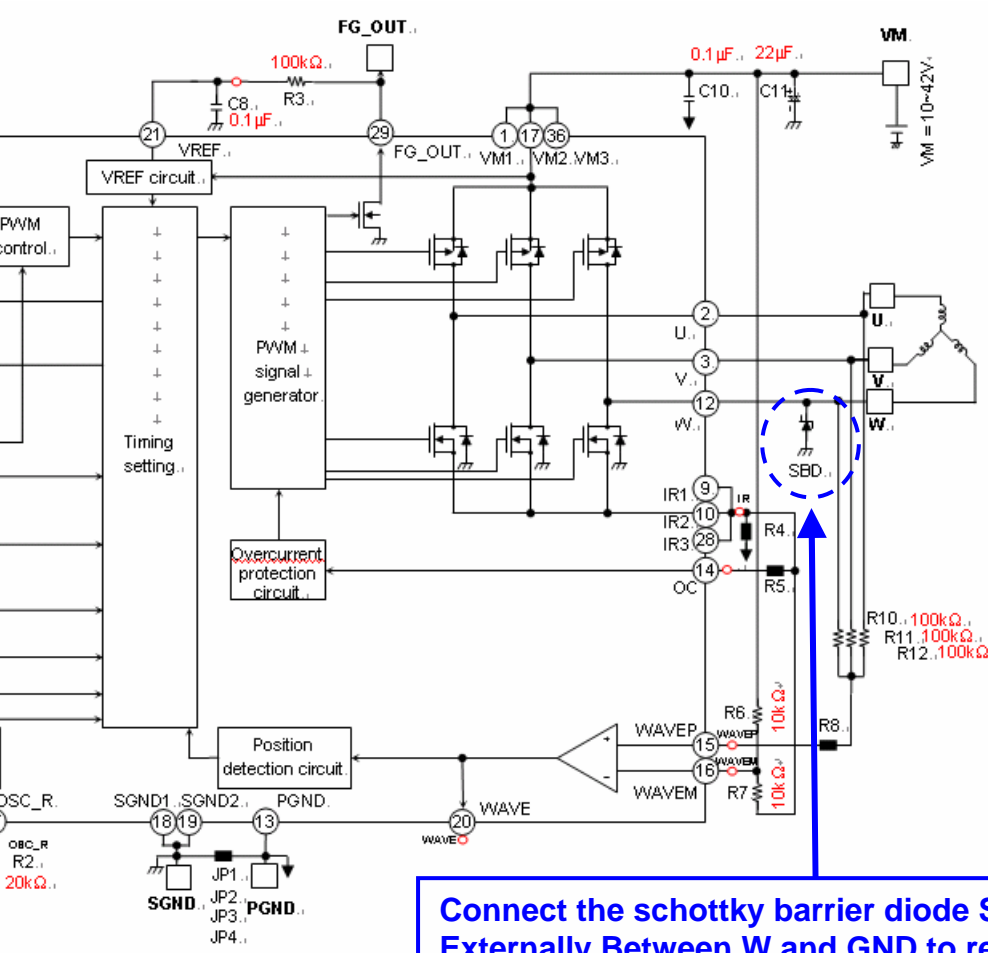
*Analog System Power LSI Group  
Analog System LSI Engineering Dept.  
Semiconductor Company  
TOSHIBA Corporation*

# 1. External components value

For adjustment to improve the motor start-up performance (VSP,R1,C1,C2,FST1,FST2)



For adjustment to improve the motor efficiency and noise. (LA1,LA2,SEL\_LAP)



Connect the schottky barrier diode SBD Externally Between W and GND to regenerate the current smoothly in output switching.

## 2. How to connect

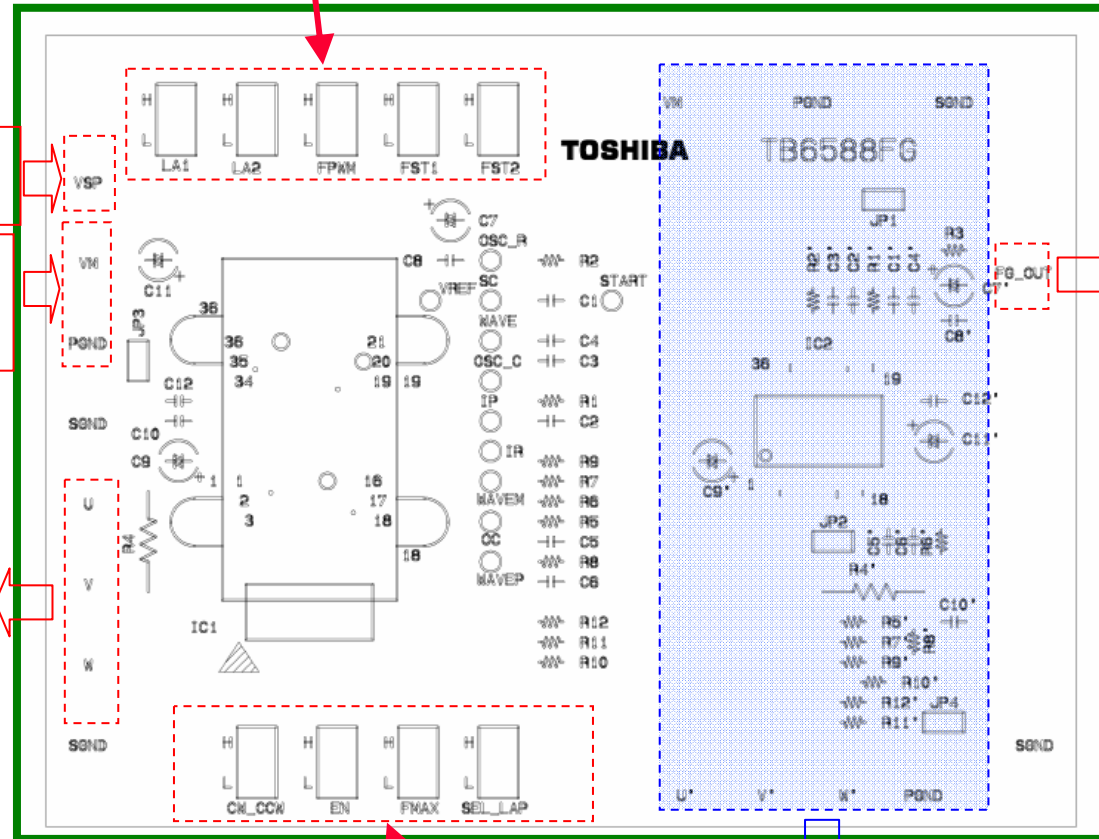
SWs for LA1, LA2, FPWM, FST1 and FST2 pins

Input the speed voltage signal from DSP. (analog signal)

Apply VM=10V~42V.

Connect the motor output pins

FG signal is output from FG\_OUT pin



SWs for CW\_CCW, EN, FMAX and SEL\_LAP pins

Area for mounting IC on the PCB.